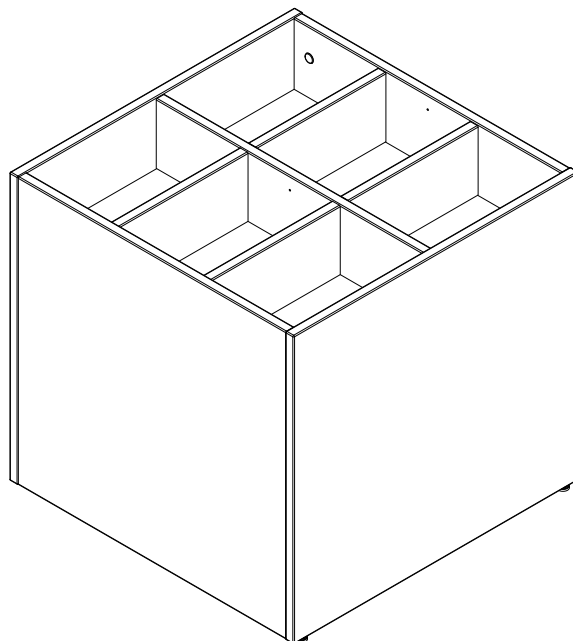
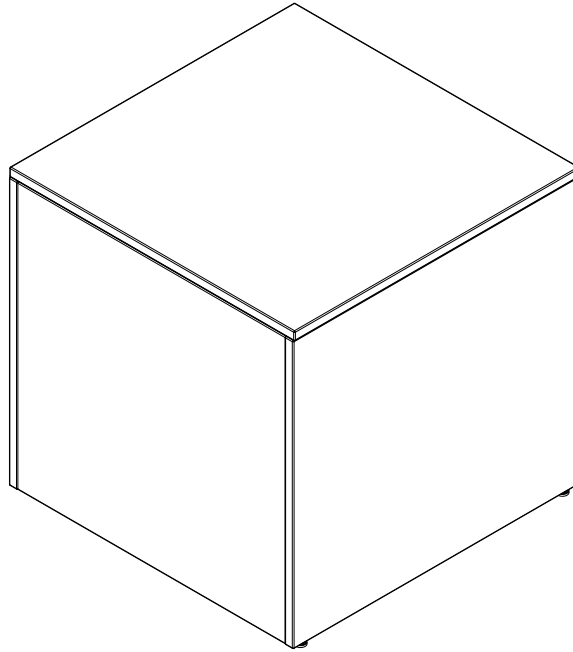




Assembly Guide

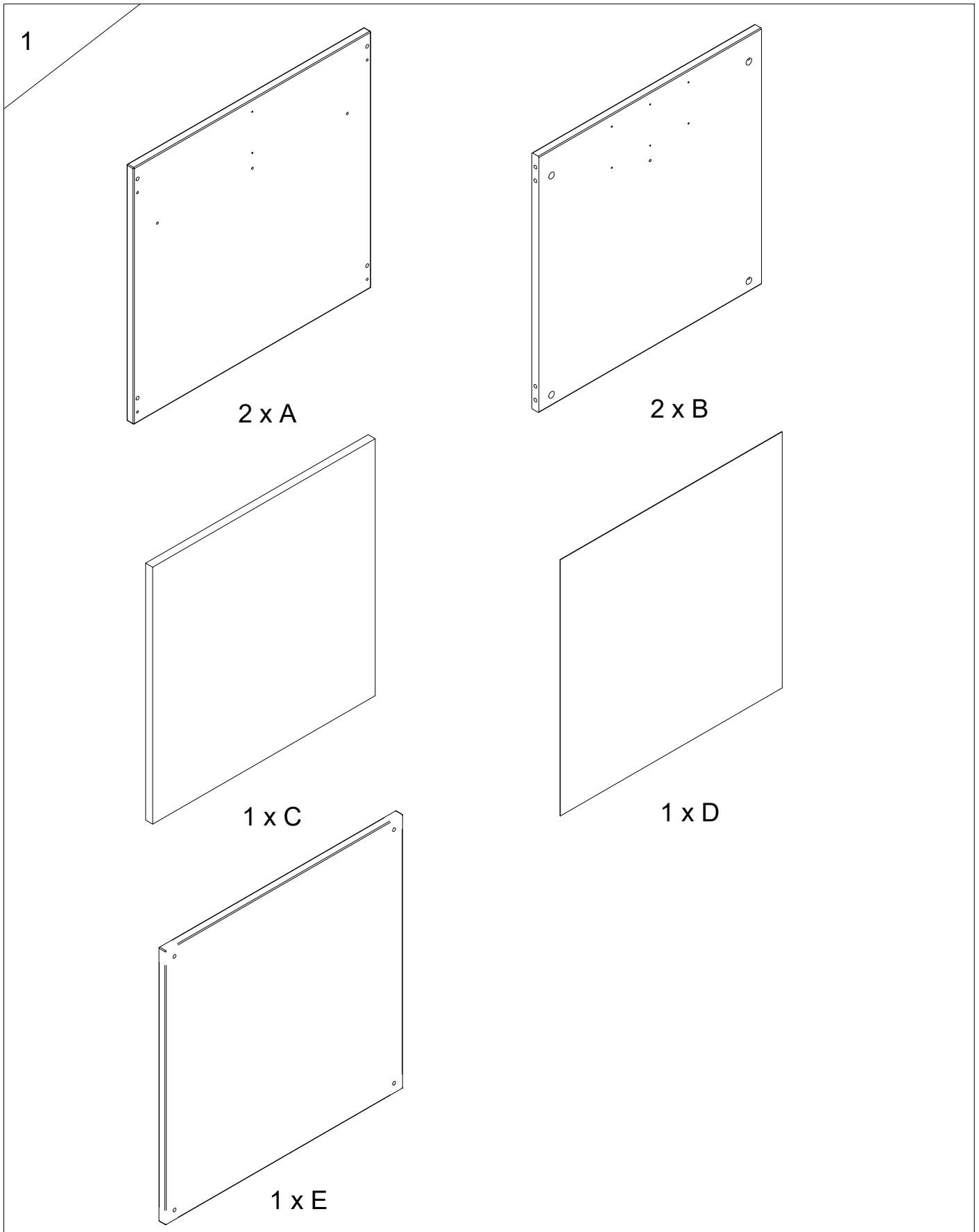
Maria XL Midi Podium - Browser



08.2023

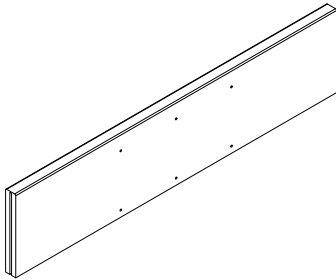
First check the contents to make sure that nothing is missing. Sort out the screws and fittings as shown.
Assemble your furniture step by step, as shown in the illustrations.

Assembly Guide

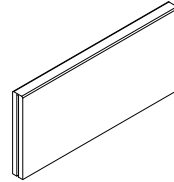




2

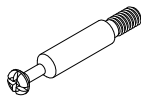


1 x F



4 x G

3



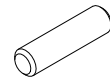
8 x H



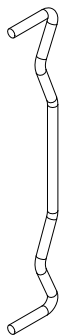
8 x I



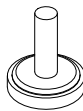
4 x J



12 x K



10 x L



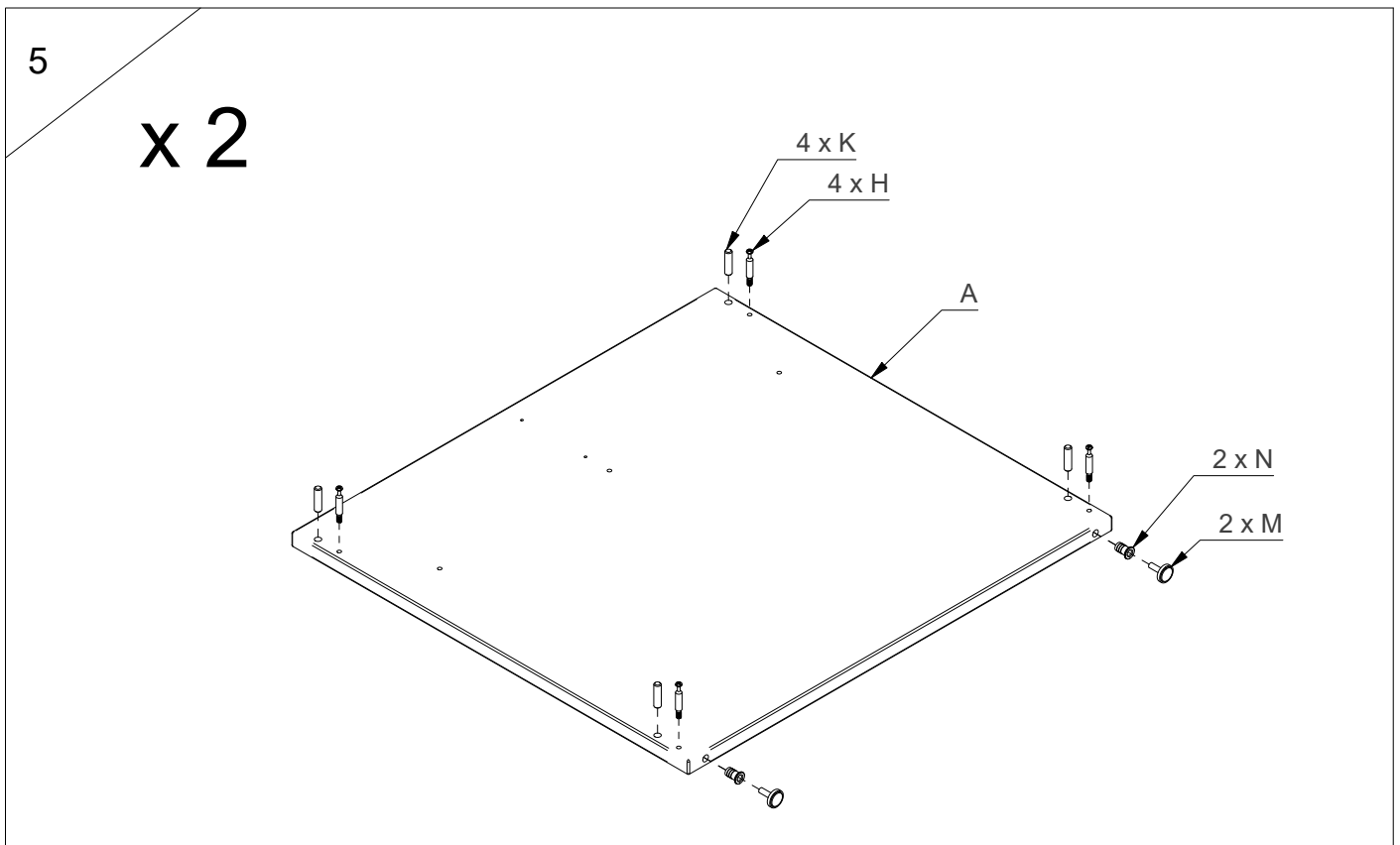
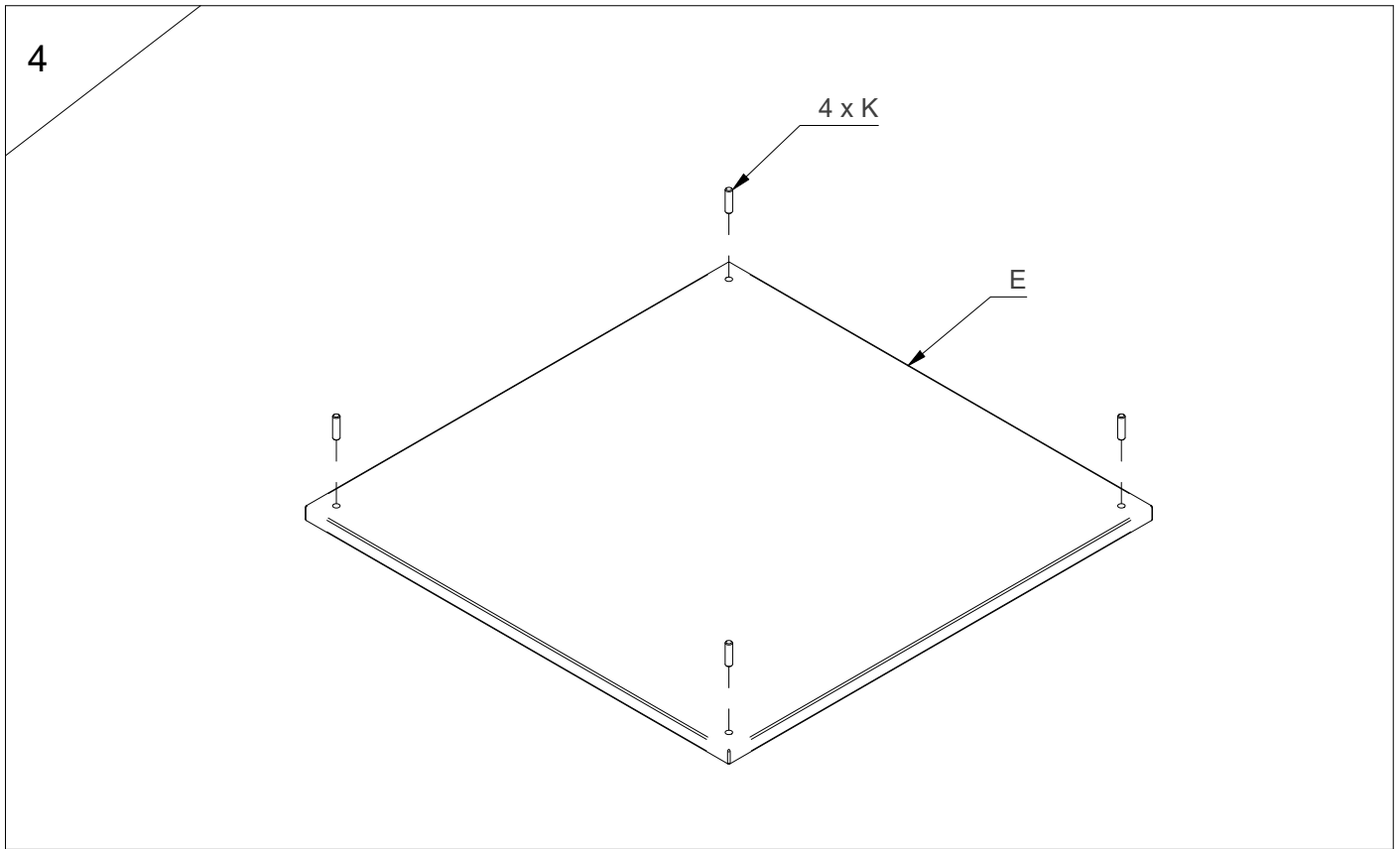
4 x M

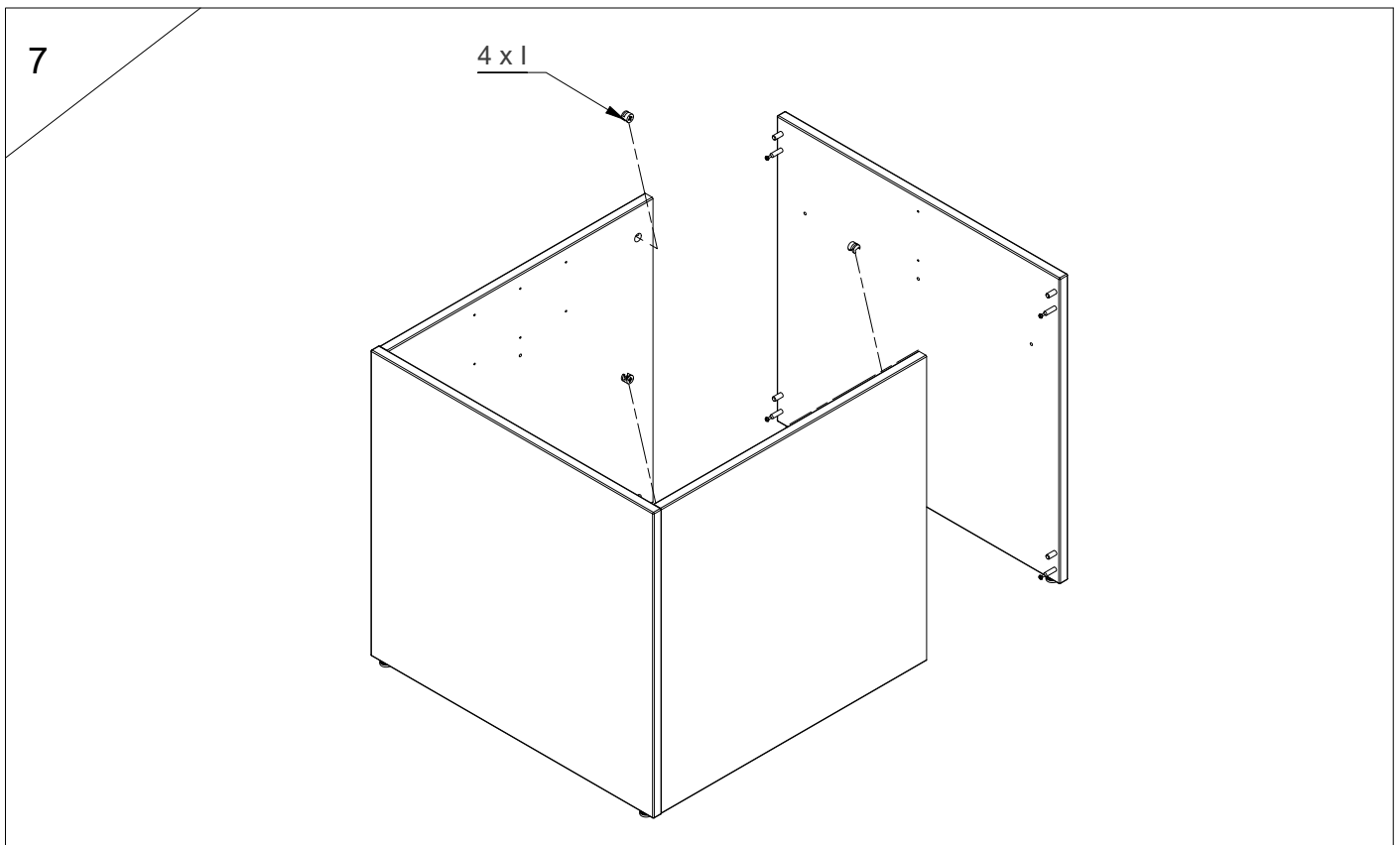
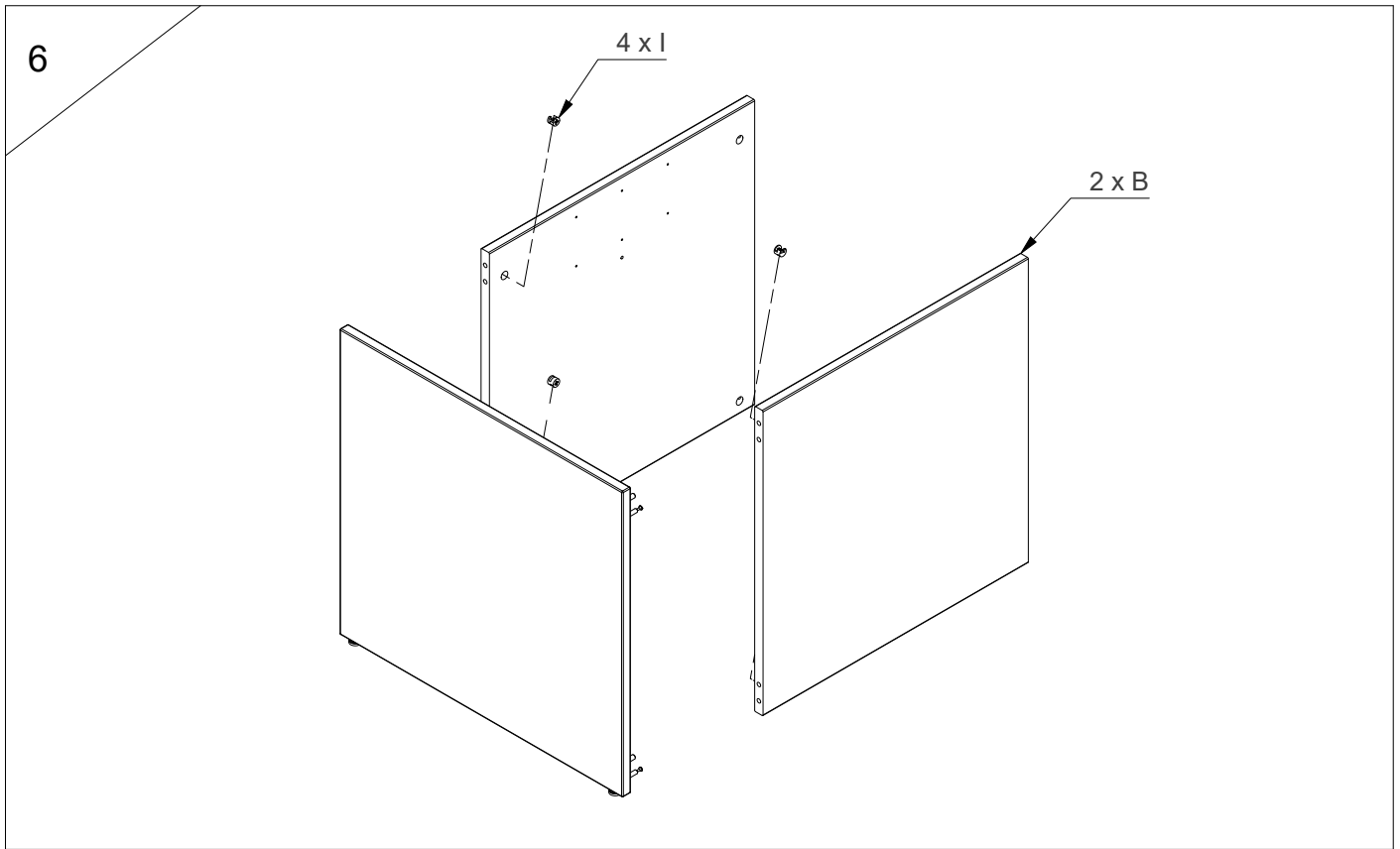


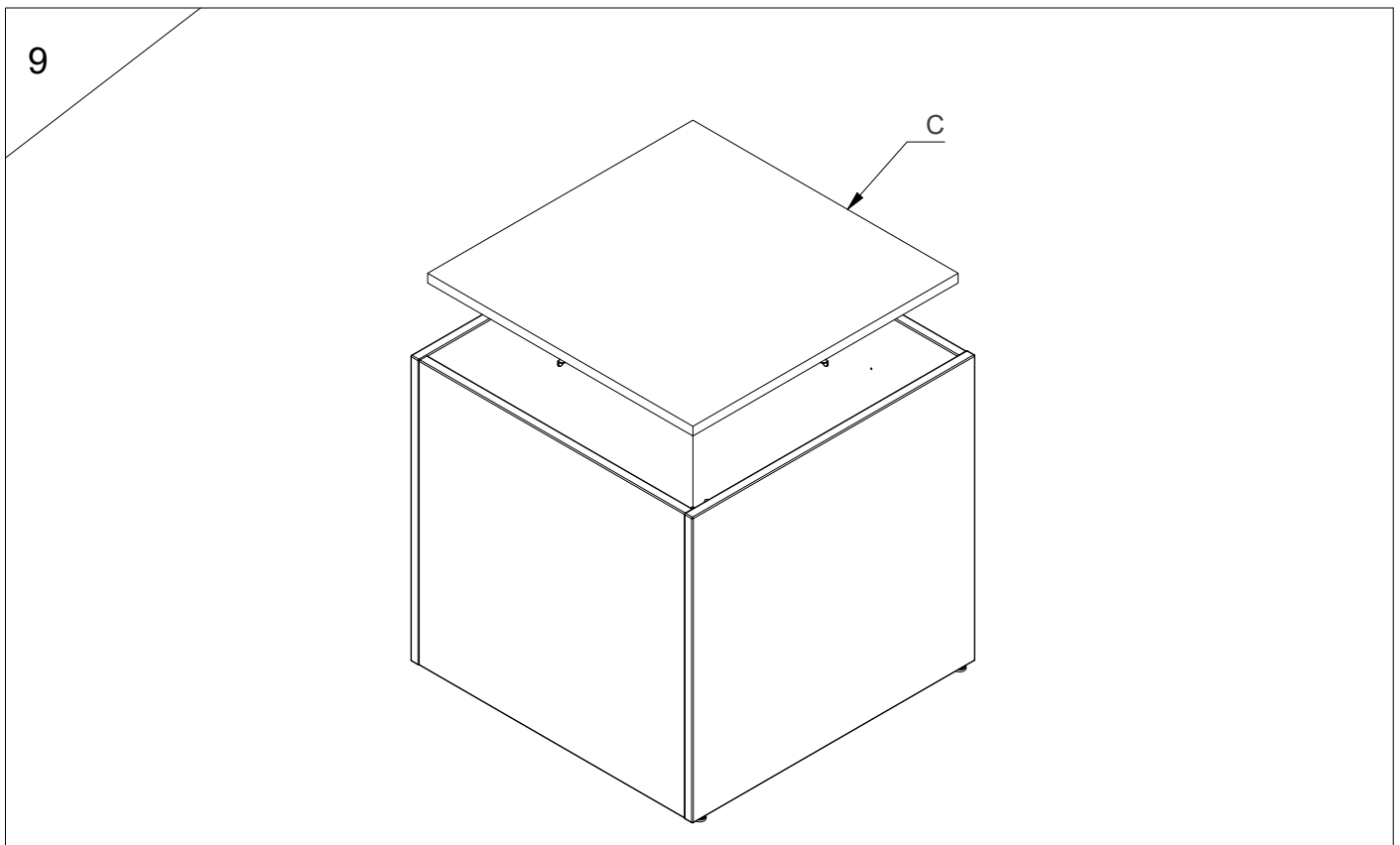
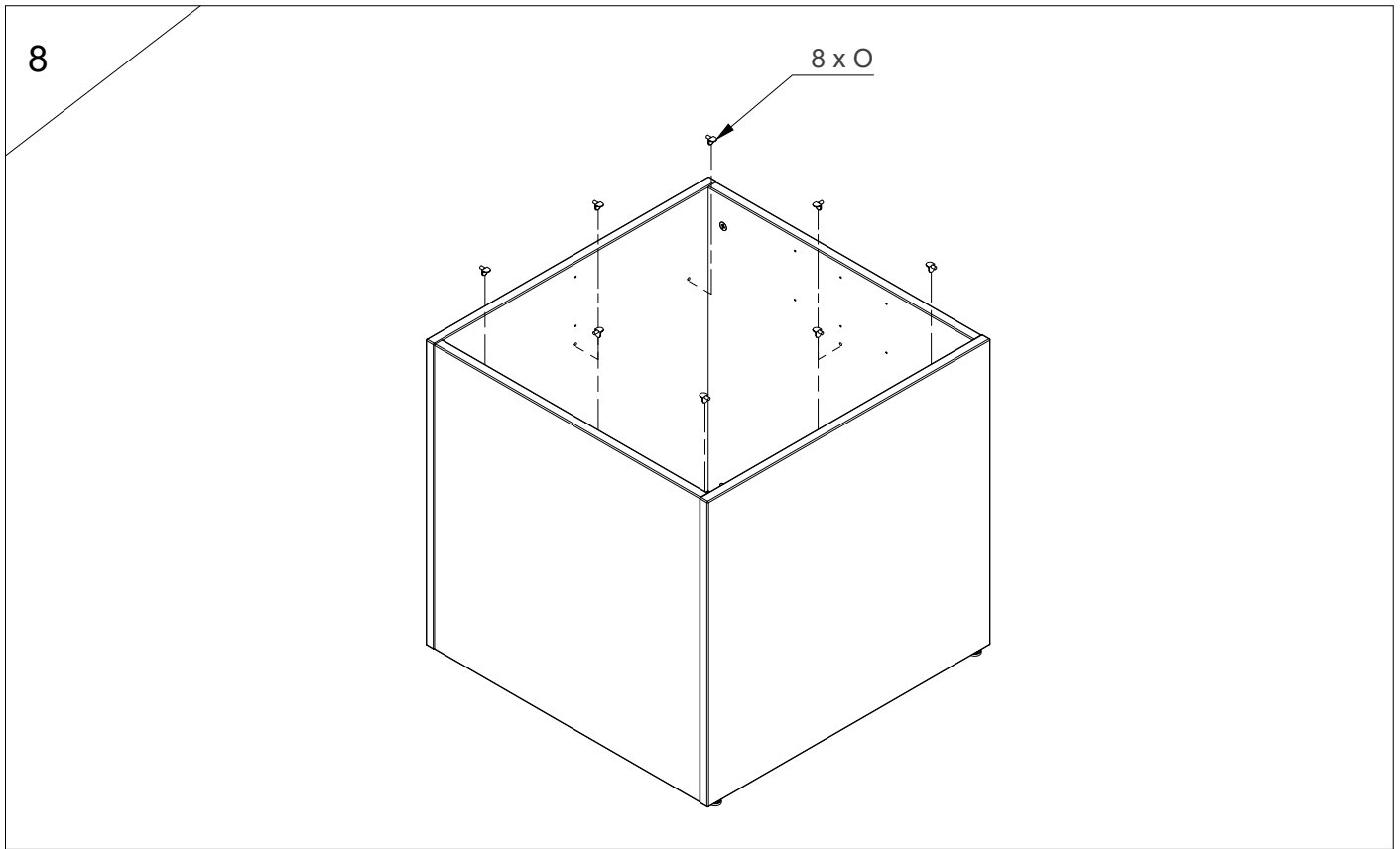
4 x N

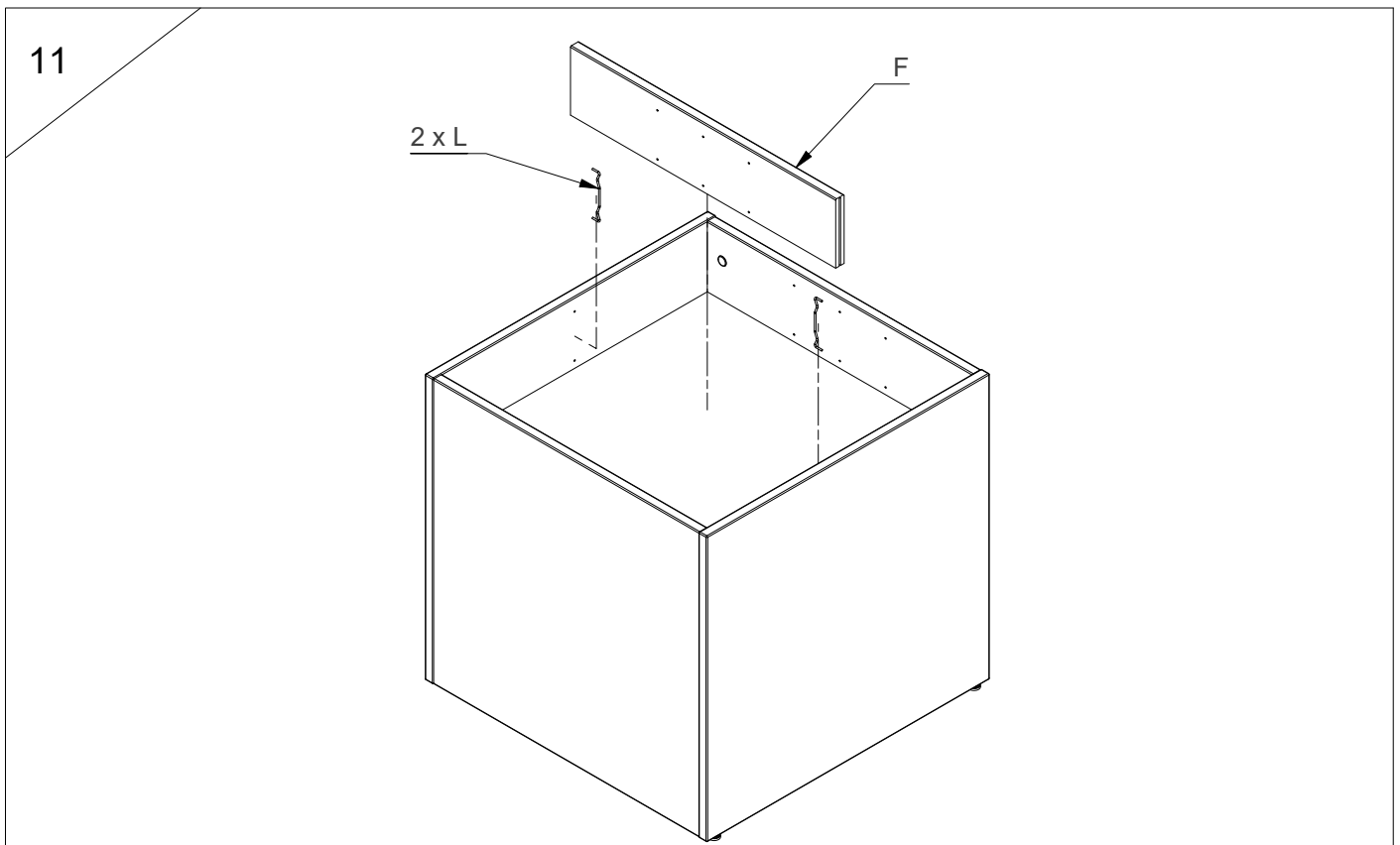
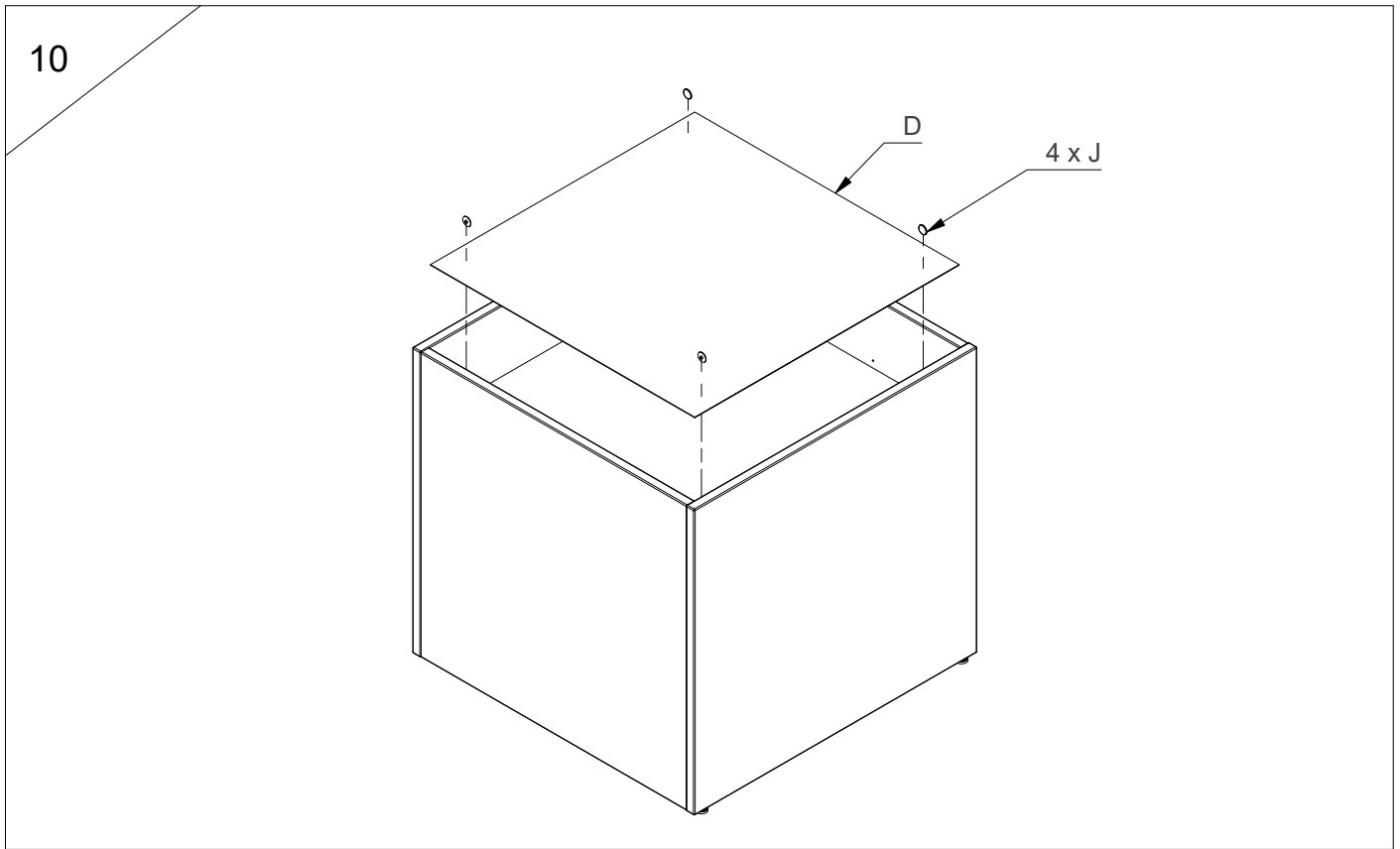


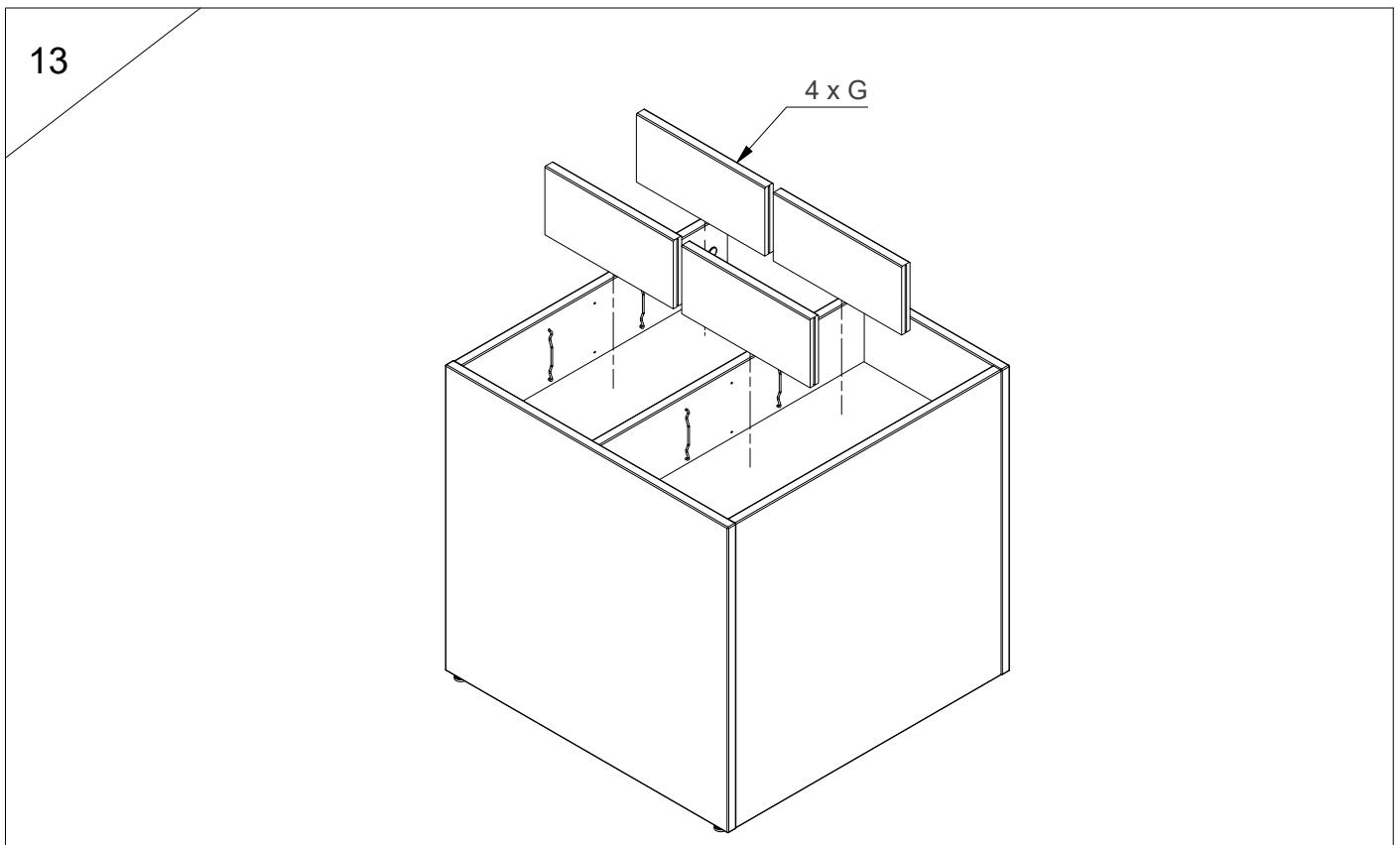
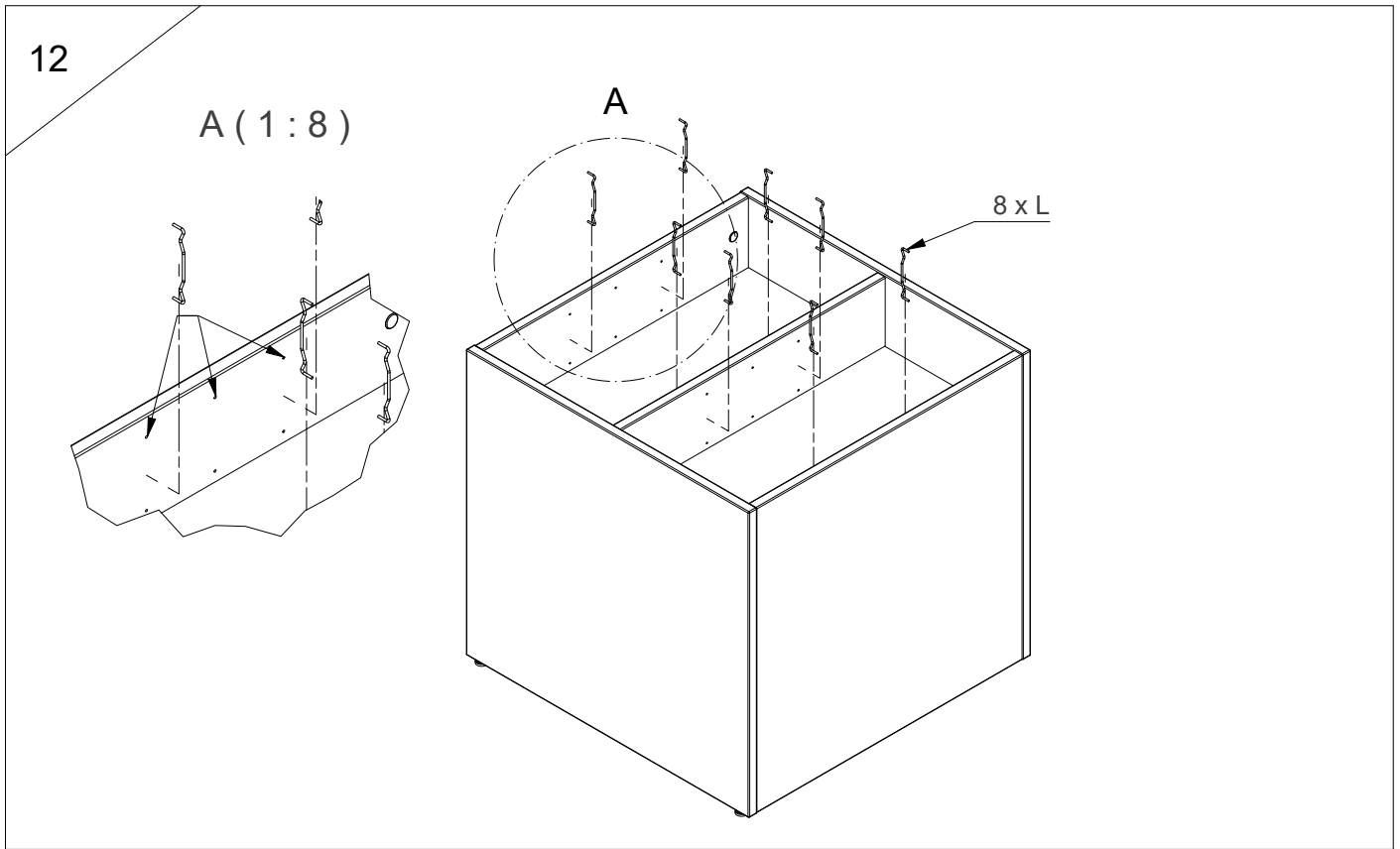
8 x O













14

